

CATV

SR1602AF Series Optical Receiver



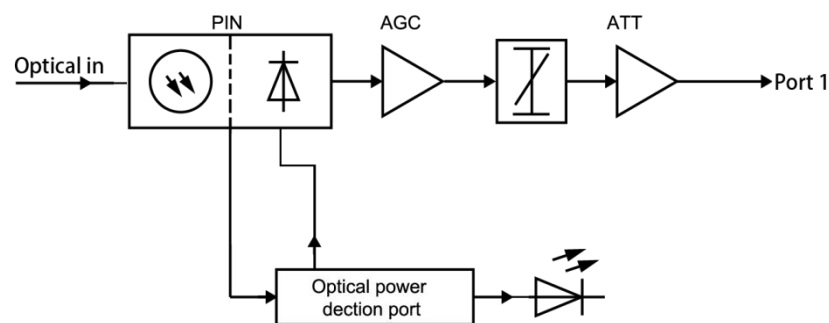
Performance characteristics

- ◆ Aluminum casing with good heat dispersion.
- ◆ Adopts GaAs module as RF amplifying module, the optical receiving range for digital signal can reach -18dBm.
- ◆ AGC control range -5~-15dBm, output level keeps unchanged.
- ◆ Low consumption design and total consumption $\leq 3w$, high reliable switching power supply.
- ◆ supply with optical inspection circuit.
- ◆ SC/APC or FC/APC optical connector
- ◆ Realize the 8V input port feeding way of power supply.

Applications

FTTH optical node is specifically designed for CATV FTTH network. Its main feature is low powerconsumption, optical input -5~-15dBm(AGC range can be customizable), optical constant level output, smallVolume and high reliability. Adopting aluminum casing, compact structure and external modular power supplymake the installation and debugging very convenient. It is an ideal product to build FTTH CATV network.

Block diagram



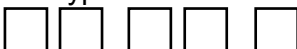
FTTH-OR16

■ Technical parameters

Item	Unit	Paramter	Remark
Optical wavelength	(nm)	1100~1600&1550	
Optical input range	(dBm)	0~-18	
Output return loss	(dB)	≥45	
Bandwidth (MHz)	MHz	47~862&1000MHz	
Flatness (dB)	dB	±1	
RF output level	(dBuv)	≥80dBuv (1 port) ≥76dBuv (2ports)	Pin: -5~-15dBm
AGC range	(dBm)	-3~-12	
Output return loss	(dB)	≥14	Pin: -5~-15dBm
Output impedance	(Ω)	75	
CNR (dB)	dB	≥51	47-1006MHz
CTB (dB)	dB	≥65	
CSO (dB)	dB	≥62	
Power supply (V)	V	AC110V or AC220V or customized	
Power consumption	W	≤3	
Operating temperature	(°C)	-20~+60	
Dimension	mm	105*67*24	

■ Model guide

SR1602AF Input port connector form - RF mouth + RF connector form - Photoelectric tube type - Power line type.

SR1602AF 

PIN type (5:only 1550nm, Normal type is not displayed)

Output ports+Connectors (1/2 output ports optional, male M/fe-male I optional)

Input connectors (SA: SC/APC; FA: FC/APC; SP : SC/PC; FP: FC/PC, customized)

Example:SR1602AF -SA-2M-5-E

Explanation of the example: This device OR16 series FTTH, the optical connector is SC/APC, 2 output, metric connector, only receive 1550nm.