

SR201W FTTH Mini Optical Receiver with WDM

Description

The node is a mini in-door optical receiver build in WDM, design for FTTP/FTTH transmission applications. It delivers excellent frequency and distortion responses with low noise, high RF output, and low power consumption. It is single mode fiber-pigtailed and is available with various connector options.

Interface



No	Interface	Description
1	RF OUT	RF OUT1 F connector
2		RF OUT2 optional
3	PWR	Power adaptor port
4	PON	1490/1310nm data interface SC/PC(SC/APC)
5	Optical Input	1550/1490/1310nm Optical input SC/APC

Features

- 1 GHz operating bandwidth
- Lower input optical range: +2~-18dBm

- Output level up to 76dBuV (@-15dBm power input);
- 2 RF Output optional
 - Low power consumption <1.0W;

Block Diagram

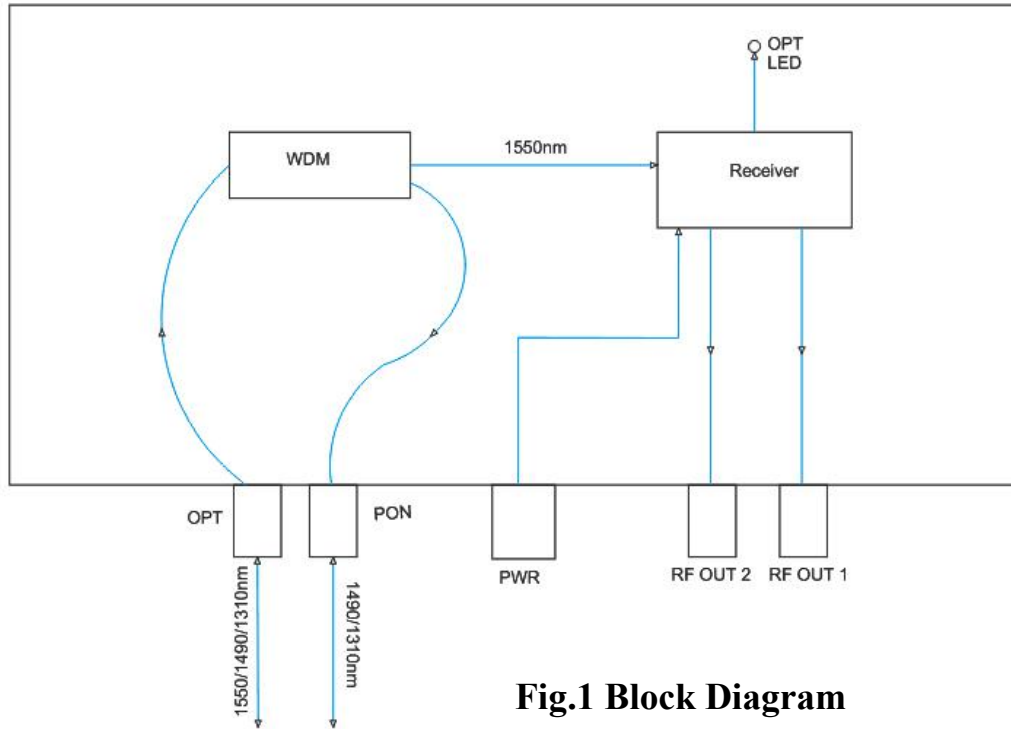


Fig.1 Block Diagram

Specification

Item	Description	Value	Unit	Conditions / Notes
Optical Specifications (Forward Path)				
1	Wavelength	1550/1490/1310	nm	Com port
		1490/1310	nm	For ONT
2	Optical Power Input Range	-18~+2	dBm	
3	AGC Range	0~-12	dBm	
4	Optical Input Return Loss	≥45	dB	
RF Specifications (Forward Path)				

4	Bandwidth	47~1003	MHz	
5	Flatness	±1.0	dB	47~1003MHz, At 25 °C
6	Slope	0~2.0	dB	47~1003MHz, At 25 °C
7	Temperature Stability	±1.5	dB	In the operating temperature range (-25 ~ +65 °C)
8	Output Level	75±2	dBuV	-15dBm input optical power, The analog channel, per channel modulation 4.0%, in the 860MHz point test, at 25°C
9	Impedance	75	Ohm	
10	Return Loss (47~1000MHz)	≥12	dB	At 25 °C
11	MER	≥30	dB	-15~-5dBm input optical power
		≥24	dB	-20~-16, input optical power
12	Power	< 1.0	W	
Environmental Parameters				
13	Operating Temperature	-25~65	°C	
14	Storage Temperature	-40~70	°C	
15	Storage Humidity	≤95	%	Non- condensation
User Interface				
16	Optical Connector Type	SC/APC in, SC/PC out		SC Optional, See the figure④ and⑤
17	Power supply	DC5V/0.5A		External adapter, See the figure③
18	RF Output	RG6 Connector		Optional,
		1 or 2 ports		See the figure① and②
19	Optical Indicator	Shine Red or Green color		Optical power <-16dBm ,red Optical power >--16dBm ,green See the figure⑥
20	Housing	90×85×25	mm	
21	Weight	0.15	kg	